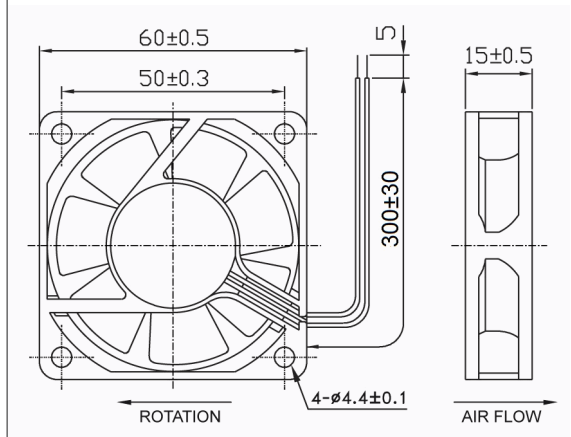
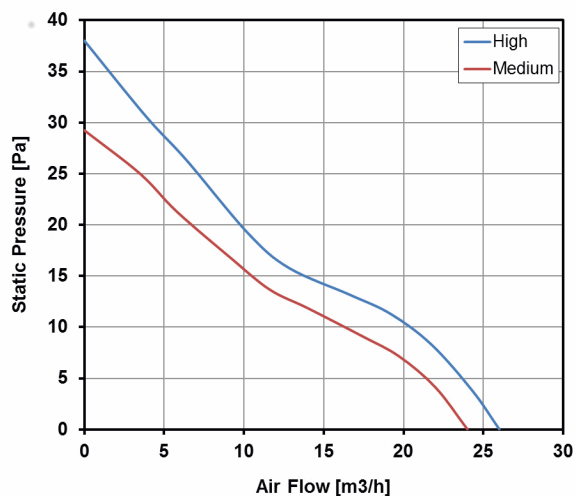


"D06FA" SERIES COSTECH FANS

Description: **Axial fan 60x60x15 mm**



Casing material:	Black fibreglass reinforced plastic (PBT) UL 94V-0
Impeller material:	Black fibreglass reinforced plastic (PBT) UL 94V-0
Protection degree:	IP20, according to EN 60529 standard
Fixing system:	4 holes ∅4.4 mm
Motor protection:	IC
Storage temperature:	from -40°C to +70°C
Rated temperature range:	from -10°C to +70°C
Lifetime L10 at 40°C:	70,000 h ball bearing 22,000 h sleeve bearing 40,000 h hypro bearing
Electrical connection:	2 leads 26AWG UL 1007, 300 mm long
Weight:	38 g
Approvals:	CE; UL E223195



Model	Bearing	Voltage	Rated Current	Rated Power	Max Air Flow	Static Pressure	Noise	RPM	Approvals
		(V)	(A)	(W)	(m3/h)	(Pa)	[db(A)]	(rpm)	
D06F01HWBA00	Ball	5 V d.c.	0.370	1.85	26	38	35.2	4,500	CE; cURus
D06F01HWHA00	Hypro	5 V d.c.	0.370	1.85	26	38	35.2	4,500	CE; cURus
D06F01MWBA00	Ball	5 V d.c.	0.250	1.25	24	29	28.8	3,900	CE; cURus
D06F01MWSA00	Sleeve	5 V d.c.	0.250	1.25	24	29	28.8	3,900	CE; cURus
D06F04HWBA00	Ball	12 V d.c.	0.140	1.68	31	48	35.5	4,500	CE; UR
D06F04HWSA00	Sleeve	12 V d.c.	0.130	1.56	26	38	35.2	4,500	CE; cURus
D06F04MWBA00	Ball	12 V d.c.	0.110	1.32	24	29	28.8	3,900	CE; cURus
D06F04MWSA00	Hypro	12 V d.c.	0.110	1.32	24	29	28.8	3,900	CE; cURus
D06F05HWHA00	Hypro	24 V d.c.	0.110	2.64	31	48	35.5	4,500	CE; cURus
D06F05MWBA00	Ball	24 V d.c.	0.070	1.68	24	29	28.8	3,900	CE
D06F05MWSA00	Hypro	24 V d.c.	0.080	1.92	28	40	31.7	4,000	CE

data with uncertainty of 15%