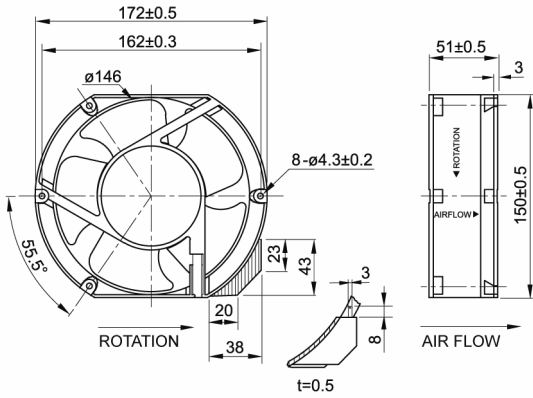
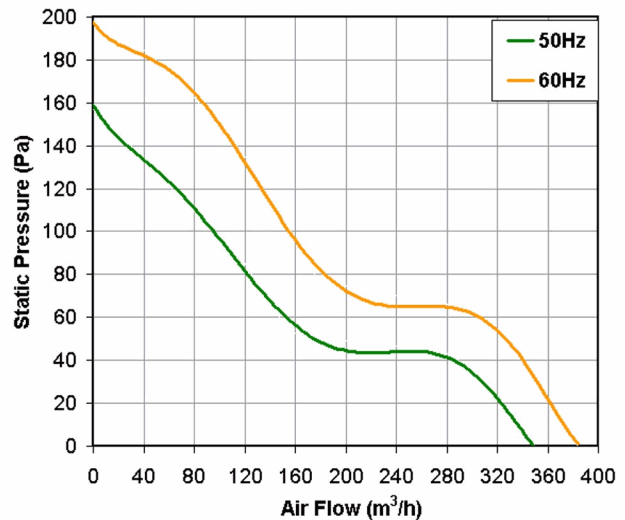


"C17CF" SERIES COSTECH FANS

Description: **Axial fan a.c. 172X150x51mm**



Casing material: Black varnished aluminum
Impeller material: Black fibreglass reinforced plastic (PBT PC) UL 94V-0
Protection degree: IP20, according to EN 60529 standard
Fixing system: by No 4 M4 screws
Motor protection: thermal
Storage temperature: from -40°C to +80°C
Rated temperature range: from -40°C to +70°C
Lifetime L10 at 40°C: 40,000 h
Electrical connection: flat terminals 110 series (2.8x0.5 mm)
Approvals: UL E223195
Weight: 0.8 kg



Model	Bearing	Voltage	Frequency	Rated Current	Rated Power	Max Air Flow**	Static Pressure	Noise	RPM	Approvals
		(V)	(Hz)	(A)	(W)	(m3/h)	(Pa)	[db(A)]	(rpm)	
C17C12HTBF00	Ball	115 V a.c.	50/60	0.260/0.250	31/31	348/384	157/197	53.0/58.0	2,850/3,400	CE; cURus
C17C23HTBF00	Ball	230 V a.c.	50/60	0.120/0.120	29/29	348/384	157/197	53.0/58.0	2,850/3,400	CE; cURus

All specifications, data and drawing are subject to change without notice and are approximate. Please refer to our terms of sales including our warranty and limited liabilities clauses.