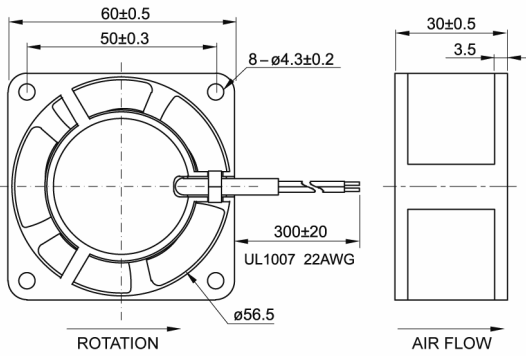
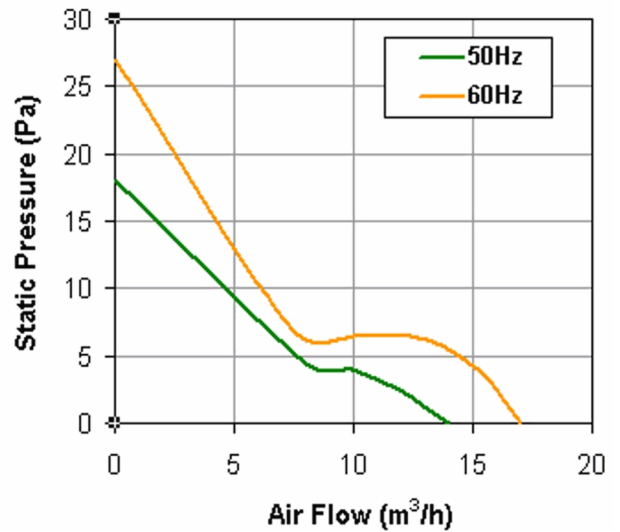


"A06GF" SERIES COSTECH FANS IP55

Description: **a.c. axial fan 60x60x30 mm**



- Casing material:** Black varnished aluminum
- Impeller material:** Black fibreglass reinforced plastic (PBT PC) UL 94V-0
- Protection degree:** IP55, according to EN 60529 standard
- Fixing system:** by No 4 M4 screws
- Motor protection:** Impedance
- Storage temperature:** from -40°C to $+80^{\circ}\text{C}$
- Rated temperature range:** from -40°C to $+70^{\circ}\text{C}$
- Lifetime L10 at 40°C :** 40,000 h
- Electrical connection:** 2 leads 22AWG UL 1007, 300 mm long.
- Weight:** 0.14 kg



Model	Bearing	Voltage	Frequency	Rated Current	Rated Power	Max Air Flow**	Static Pressure	Noise	RPM	Approvals
		(V)	(Hz)	(A)	(W)	(m^3/h)	(Pa)	[db(A)]	(rpm)	
A06G23HWBF0	Ball	230 V a.c.	50/60	0.025/0.021	5.0/4.0	14/17	17/27	27.0/28.0	2,400/3,000	CE