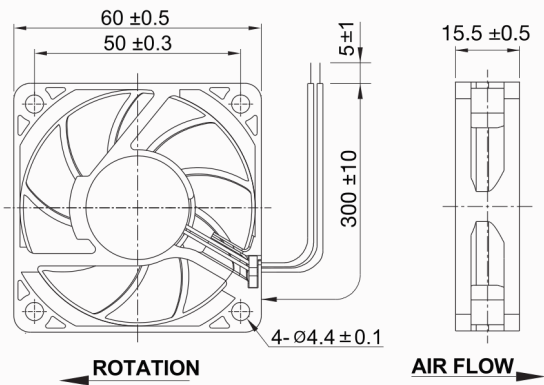
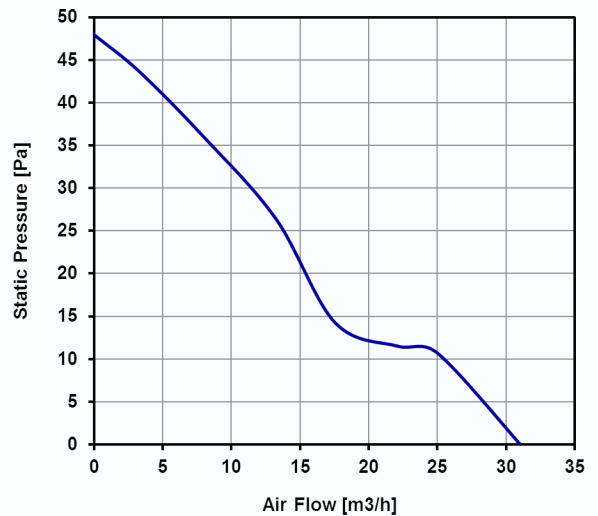


"D06F05HWBA91" COSTECH FAN

Description: **d.c. axial fan 60x60x15mm**



Casing material:	Black fibreglass reinforced plastic (PBT) UL 94V-0
Impeller material:	Black fibreglass reinforced plastic (PBT) UL 94V-0
Protection degree:	IP20, according to EN 60529 standard
Fixing system:	by 4 holes ∅4,4mm
Motor protection:	by IC
Electrical connection:	2 leads 26AWG UL 1007, 300mm long
Polarity protection:	yes
Storage temperature:	from -40°C to +70°C
Rated temperature range:	from -10°C to +70°C
Lifetime L10 at 40°C:	70,000 h
Weight:	39g
Approvals:	CE



Model	Bearing	Voltage	Rated Current	Rated Power	Max Air Flow	Static Pressure	Noise	RPM	Approvals
		(V)	(A)	(W)	(m3/h)	(Pa)	[db(A)]	(rpm)	
D06F05HWBA91	Ball	24 V d.c.	0.11	2.64	31	48	35.5	4,500	CE

data with uncertainty of 10%