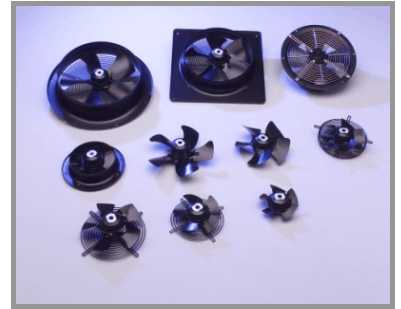


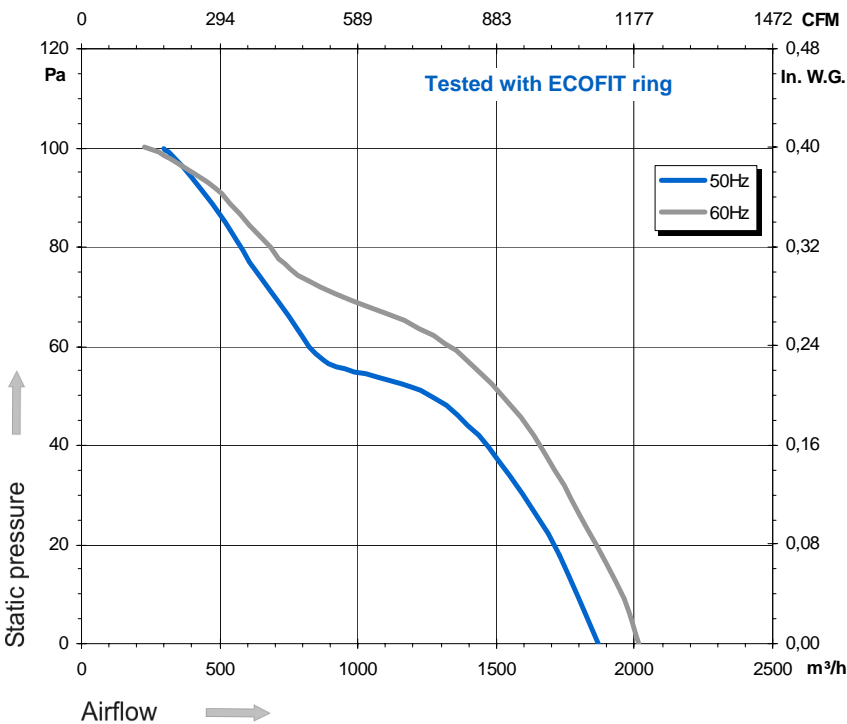
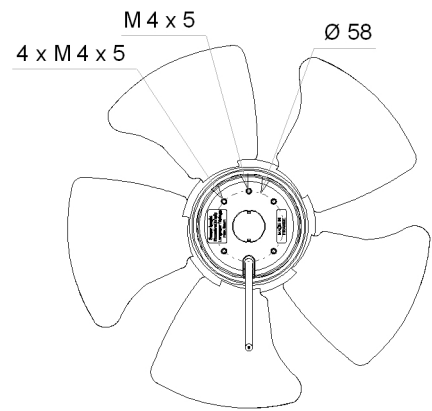
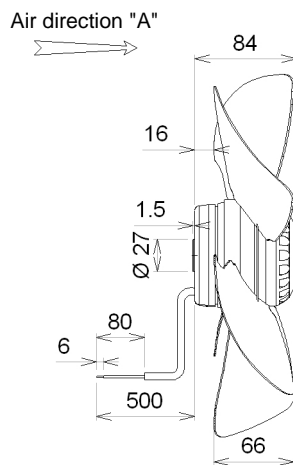
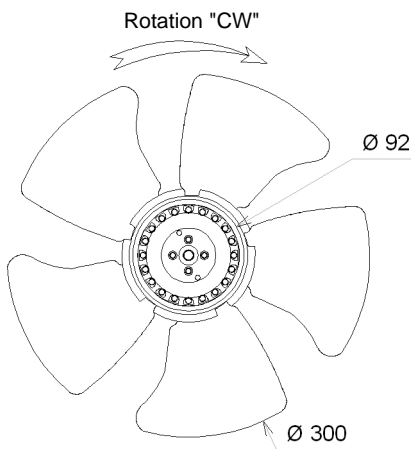
Ind. 0 - Revision : 08-2008

4VRE35 300A P/N B22-C4

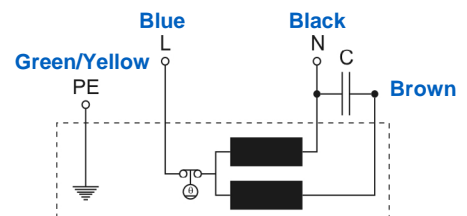
Substitute for P04-26



Voltage	Frequency	Input power	Current	Capacitor	Airflow	Speed rotation	Noise level	Rotation direction	Operating temperature
V	Hz	Wa	A	µF	m³/h	RPM	dBA	↻	Min / Max
230	50	88	0,41	3,0	1 870	1 320	58	R	-20°C / +60°C
230	60	97	0,45	2,5	2 015	1 475	60	R	-20°C / +70°C
230	50				1100 CFM				-4°F / +140°F
230	60				1186 CFM				-4°F / +158°F



- Weight : 2,5 Kg
- Ball bearing
- Class F, thermally protected
- IP44 protection
- G6.3 balancing
- Zinc coated impeller
- Rotor and impeller : black paint



Capacitor for 50Hz	Capacitor for 60Hz	Connecting box	Connector
19012	19011	39658	09145

Non contractual document. All specifications are subject to change without prior notice. Picture for information only.