

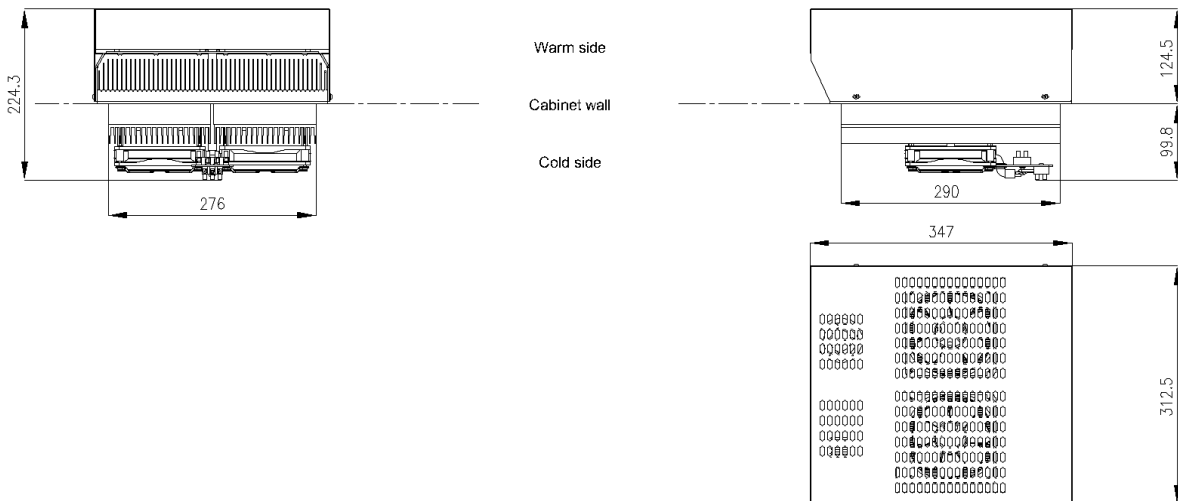
**"TCU" THERMOELECTRIC COOLING UNIT**

Description: **200 W**

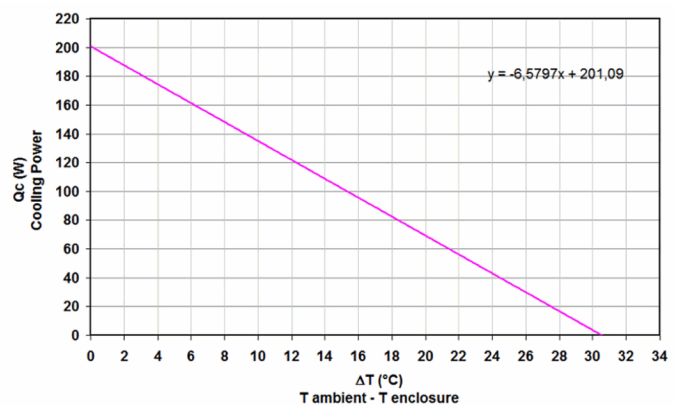
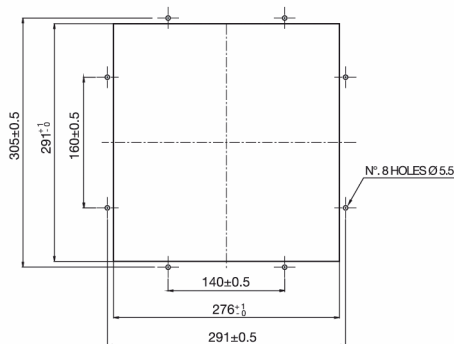


- Cover material:** stainless steel
- Fan type:** shielded and self-lubricating ball bearing
- Protection degree (according to EN 60529):** IP65 provided by the power supply; IP55 provided by the enclosure in which the unit is mounted; IP55 provided by the warm side fans; IP24 provided by the warm side cover of the unit according to EN 60529
- Fixing system:** panel through mounting, see mounting cut-out. Fixing with M5 ISO screws (not supplied). Suitable for any plate thickness
- Electrical connection:** by terminal block 3 poles
- Power supply:** AC/DC power supply integrated
- Sealing:** sealing gasket made of closed cell polyethylene foam
- Approvals:** CE

**technical drawing**



**mounting cut-out**



All specifications, data and drawing are subject to change without notice and are approximate. Please refer to our terms of sales including our warranty and limited liabilities clauses.

Model	Cooling Power	Freq. Range	Rated Voltage Range	Input Power Max	Input Power Rated	Rated Temp. Range	Weight
	(W)	(Hz)	(V a.c.)	(W)	(W)	(°C)	(Kg)
TCU200AC40-SIP	201	50/60	88-264 Va.c.	306	245	-20 ~ +50	14